



Model SF-690

**Orion™
Pants Press**



by Top Innovations, Inc.

**Please read instructions before use.
Mail in your warranty registration card.**



LETTER FROM THE CEO

Dear Valued Customer,

Thank you for purchasing your new **Orion™** Pants Press. This powerful new product is designed to save you time and money, while giving you the professional image that you desire.

No longer will you have to spend extra time and money to have your dress slacks and trousers professionally pressed. Simply place them in the **Orion™** and then go about your other business. In no time, you will find your pants wrinkle-free and ready for anything from a casual business lunch to an important meeting with your most demanding clients.

Top Innovations, Inc. would like to invite you to take advantage of our Customer Support web site at:

www.topinnovations.com

On this website you will find additional information about many other exciting products that are available from our various product lines, as well as a number of helpful tips on ways in which you can utilize the full power of your **Orion™**.

Enjoy your new **Orion™** Pants Press!

A handwritten signature in cursive script, appearing to read "Benny Lee".

Benny Lee
Chairman and CEO
Top Innovations, Inc.




IMPORTANT SAFEGUARDS



WARNING: To reduce the risk of fire, electrical shock, or injury, the following basic safety precautions should always be followed when using an electrical appliance.

READ ALL INSTRUCTIONS BEFORE USING YOUR PANTS PRESS

1. DO NOT leave your SF-690 Orion™ unattended when plugged in or not in use.
2.  **This unit is not a toy. Close supervision is required when using unit near children, pets, and plants. Surfaces become hot during use, so care must be taken to avoid burns or other injuries.**
3. Always unplug electrical cord when unit is not in use. DO NOT use this unit if electrical cord or outlet is damaged. DO NOT use unit if it is not working properly or has been dropped, damaged, or left outdoors. If such damage occurs, contact an approved service technician for assistance.
4. This unit is an electrical appliance. DO NOT submerge it in water. DO NOT use electrical cord as a handle. DO NOT allow cord to be crimped by closing it in doors. DO NOT pull or stretch cord around sharp corners or edges. Be sure to keep electrical cord away from all heated surfaces.
5. DO NOT use this unit with extension cords or electrical outlets that have inadequate current capacity. A three-prong outlet or a properly grounded adapter is necessary when using SF-690 Orion™.
6. In order to unplug SF-690 Orion™, grasp plug and pull smoothly and firmly from outlet. DO NOT attempt to unplug unit by pulling or tugging on cord.

SAVE THESE INSTRUCTIONS!

FOR HOUSEHOLD USE ONLY



IMPORTANT SAFEGUARDS



WARNING: This appliance uses an electrical plug with one plug that is larger than the other. This plug will fit in a wall outlet only one way. If the plug does not fit correctly in the outlet, contact a qualified electrician to install a proper outlet. **DO NOT** attempt to modify the plug or defeat this safety feature in any way.

7. Always turn SF-690 Orion™ OFF (Set Timer Dial to “0” position) before plugging or unplugging from an electrical outlet.
8. This unit is NOT intended for outdoor use.
9. DO NOT handle or use this unit while hands are wet or when not wearing shoes.
10. To avoid injury, DO NOT touch hot surfaces during operation.
11. DO NOT turn unit on its side when in use.
12. DO NOT use water in SF-690 Orion™.
13. Use SF-690 Orion™ only as described in this manual. Operating unit in any way other than recommended may result in damage to unit or injury to operator.
14. DO NOT operate unit if it has been dropped or damaged. Immediately discontinue use and contact qualified service personnel for examination and repair. DO NOT disassemble unit or attempt any repairs yourself. Incorrect assembly or repair could result in a risk of fire, electric shock, or injury to persons when operating SF-690 Orion™.
15. Store your SF-690 Orion™ in a cool, dry place. Allow unit to cool completely, and loop power cord loosely around unit before storing.

SAVE THESE INSTRUCTIONS!

FOR HOUSEHOLD USE ONLY

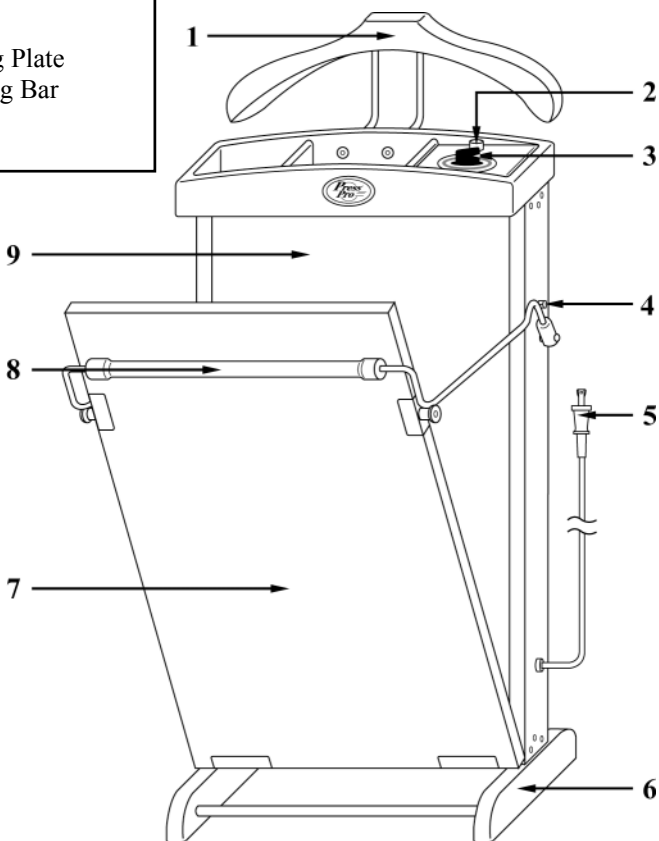


SF-690 ORION™ PRODUCT INFORMATION

The following features and accessories come with your steam cleaner. Carefully inspect packaging material as some parts are shipped inside Styrofoam packaging. To obtain possible missing parts, refer to the **Customer Support** section on page 10 of this manual.

UNIT FEATURES

1. Clothes Hanger Hook
2. Power Indicator Light
3. Timer Dial
4. Stopper
5. Power Cord
6. Foot Base
7. Front Pressing Plate
8. Plated Pressing Bar
9. Heating Plate





SF-690 ORION™ PRODUCT INFORMATION

- The *Clothes Hanger Hook* (1) serves as a safe and convenient place to hang suit jackets or coats while you are pressing a pair of pants.
- The *Power Indicator Light* (2) illuminates while the unit is plugged in, and deactivates once the unit is unplugged.
- The *Timer Dial* (3) is used to activate the unit, as well as set the desired amount of pressing time. See **Timer Dial Controls** section on page 9 of this manual for further information about operating the *Timer Dial*.
- The *Stopper* (4) prevents the *Plated Pressing Bar* from swinging past a safe point and allowing the *Front Pressing Plate* to open too far.
- The *Power Cord* (5) provides you with the flexibility to place the Orion™ where it is most convenient for you, while still protecting against electric shock and injury.
- The *Foot Base* (6) provides a sturdy foundation for the Orion™, ensuring that it will not tip over while in use.
- The *Front Pressing Plate* (7) presses firmly against the *Heating Plate*, helping to flatten out your pants and trousers, removing unsightly wrinkles.
- The *Plated Pressing Bar* (8) swings in and out to allow you to easily open up the Orion™ and place garments against the *Heating Plate*. The *Plated Pressing Bar* also serves to lock the *Front Pressing Plate* firmly in place during unit operation.
- The *Heating Plate* (9) emits heat and, in conjunction with the flattening action of the *Front Pressing Plate*, works to gently remove wrinkles from your pants and trousers.





ASSEMBLING THE ORION™

NOTE: Before beginning assembly, please make sure that your Orion™ includes the following:

- 4 Large Screws
- 2 Small Screws
- 1 Allen Wrench

1. Lay Orion™ on its side or flat on top of a table.

2. Attach Foot Base to bottom of unit. To do this, line up four holes in Foot Base with four holes on bottom of unit. Slide 1 large screw through each of the four holes, and tighten them securely into place using Allen wrench (FIGURE 1).

3. Now place Orion™ upright on floor.

4. Attach Clothes Hanger Hook to top of unit. To do this, align holes on end of each metal connector arm with holes on top/back side of unit. Slide 1 small screw through each of the two holes, and tighten them securely into place using Allen wrench (FIGURE 2)

Your Orion™ Pants Press should now be fully assembled and ready to use. Please refer to directions on following pages for more information on proper operation and storage of unit, as well as troubleshooting tips.

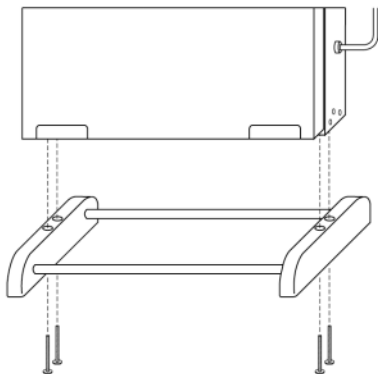


FIGURE 1

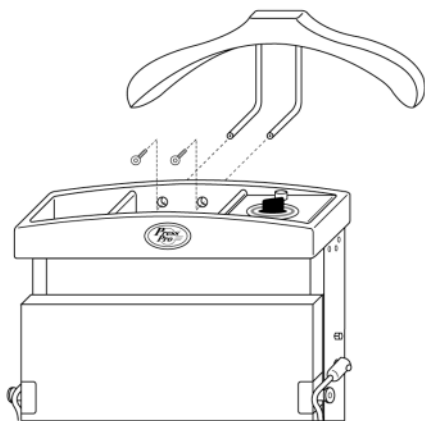


FIGURE 2

1. Slowly pull Plated Pressing Bar up and open Front Pressing Plate. Plated Pressing Bar will ‘catch’, holding Front Pressing Plate in “open” position (FIGURE 3).

2. Place pants or trousers into unit, with cuffs or bottoms of legs as far down as possible between the Front Pressing Plate and Heating Plate. Waistline of pants should hang over top edge of Front Pressing Plate (FIGURE 4).

3. Close Front Pressing Plate, and carefully pull Plated Pressing Bar back down far enough so that it holds Front Pressing Plate closed. Do not pull Plated Pressing Bar all of the way down; you do not want to lock it into place yet.

4. While in this “intermediary” position, hold waistline of pants or trousers and gently pull upwards. This will smooth out any wrinkles and ensure that pants are lying flat between Front Pressing Plate and Heating Plate.

5. Pull Plated Pressing Bar the rest of the way down, fully locking Front Pressing Plate into “closed” position (FIGURE 5).

6. Plug Power Cord into a convenient electrical outlet. Power Indicator Light will illuminate.

7. Set Timer Dial to desired time (see **Timer Dial Controls** on page 9 of this manual for further details on operating Timer Dial). Once set time has expired, Heating Plate will automatically shut off.

A 30 minute pressing usually provides excellent results. However, heavier materials or exceptionally stubborn wrinkles may require additional time.

8. Once pressing is complete, immediately unplug Power Cord. Note that Power Indicator Light deactivates. Refer to **Proper Storage** section on page 9 of this manual for further information on properly storing your Orion™.

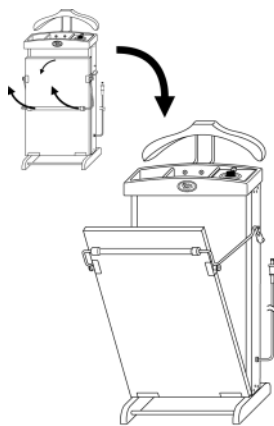


FIGURE 3

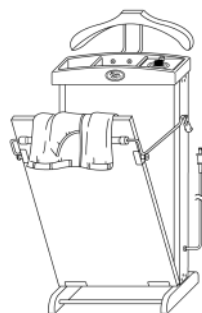


FIGURE 4

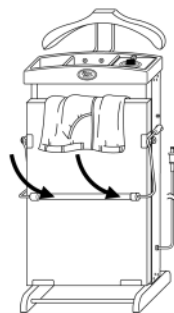


FIGURE 5

TIMER DIAL CONTROLS

The Orion™ is operated using the following settings of the Timer Dial:

1. Set Timer Dial to “0” position to turn power off (FIGURE 6).
2. Select from the four available times for the desired duration of pressing. 15, 30, 45, and 60 minute choices are available (FIGURE 7).
3. Set Timer Dial to “ON” position to continue pressing after set time has expired (FIGURE 8). Note that unit will continue to press until you manually deactivate it, so use caution to avoid over-pressing and damaging garments.

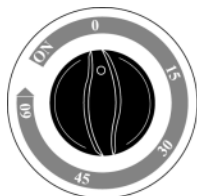


FIGURE 6

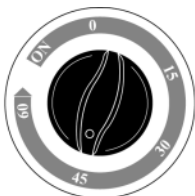


FIGURE 7

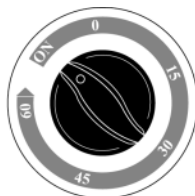


FIGURE 8

- IMPORTANT -

- Turn Timer Dial **CLOCKWISE ONLY**.
- **NEVER** turn Timer Dial past 60 minute mark.

AUTO SHUT-OFF

- Orion™ is equipped with a built-in thermostat that will automatically shut power off if unit overheats.

PROPER STORAGE

Preparing your Orion™ for storage is quick and simple. When you have finished your pressing tasks, follow the steps listed below:

1. Set Timer Dial to “0” position, and unplug power cord from electrical outlet.
2. Allow unit to cool completely (at least 30 minutes).
3. Make sure Pressing Plate is in the “Closed” position, and that Plated Pressing Bar is securely locked in place.
4. Loop power cord loosely around Orion™.
5. Store Orion™ in a cool, dry location.



TROUBLESHOOTING GUIDE

PROBLEM	POSSIBLE CAUSE	SOLUTION
Unit fails to properly operate.	Unit is not plugged in.	Plug into electrical outlet.
	Household Circuit Breaker / Ground Fault Interrupter has tripped or blown a fuse in the breaker box.	Reset Circuit Breaker / Ground Fault Interrupter, or replace fuse. If you need assistance, contact a qualified electrician.
	Unit is damaged or malfunctioning.	Please contact a qualified service technician for service and repair.
Unit fails to heat up.	Unit is not plugged in.	Plug into electrical outlet.
	Heating plate has been damaged or is malfunctioning.	Immediately discontinue use and allow unit to completely cool. Contact qualified service personnel for assistance.

CUSTOMER SUPPORT

For problems with your pants press, please refer to the Troubleshooting Guide Located above. Additional inquiries should be directed to our Customer Support services at 1-800-711-6617 ext. 102 / 130 or e-mailed to:

customerservice@topinnovations.com

Should there be any missing or defective parts or accessories, contact Customer Support. In most cases, it is not necessary to return the entire unit. We can ship most parts directly to your door.

To ensure prompt and accurate service, call for a Return Authorization number before returning any unit to Top Innovations. Failure to obtain a Return Authorization number will cause a delay in warranty or out-of-warranty service requests.



WARRANTY INFORMATION

ONE YEAR LIMITED WARRANTY

(If outside USA, additional shipping charges may apply)

Top Innovations, Inc. warrants this product to be free from defects in material and workmanship for a period of one (1) year from the date of purchase. This warranty does not cover damage caused by misuse, negligence, use by improper current or voltage, use contrary to operating instructions or disassembly, repair or alteration by any person other than Top Innovations, Inc. Warranty Service Department.

Top Innovations, Inc. will repair or replace, at its option. This warranty gives you specific legal rights and may have other rights, which may vary from state to state.

Performance of any obligation under this warranty may be obtained by:

1. Call (800) 711-6617 for Return Authorization Number before returning for repair
2. Include copy of purchase receipt
3. Include your name, address, telephone number, and Return Authorization Number on returned package

Please send product postage prepaid to:

TOP INNOVATIONS, INC.
WARRANTY SERVICE DEPARTMENT
400 NW PLATTE VALLEY DR.
RIVERSIDE, MO 64150

After 1 year limited warranty has expired, you will be advised of the cost of repair before any servicing is done unless you enclose a note indicating that you would like us to proceed with repairs.

If you have any questions about coverage under this warranty, you may contact warranty service department by telephone at (800) 711-6617 ext. 102 / 130 or e-mail customerservice@topinnovations.com



Top Innovations, Inc.

400 NW Platte Valley Dr.

Riverside, MO 64150

Tel: (800) 711-6617

www.topinnovations.com

customerservice@topinnovations.com



Printed In China

V030919