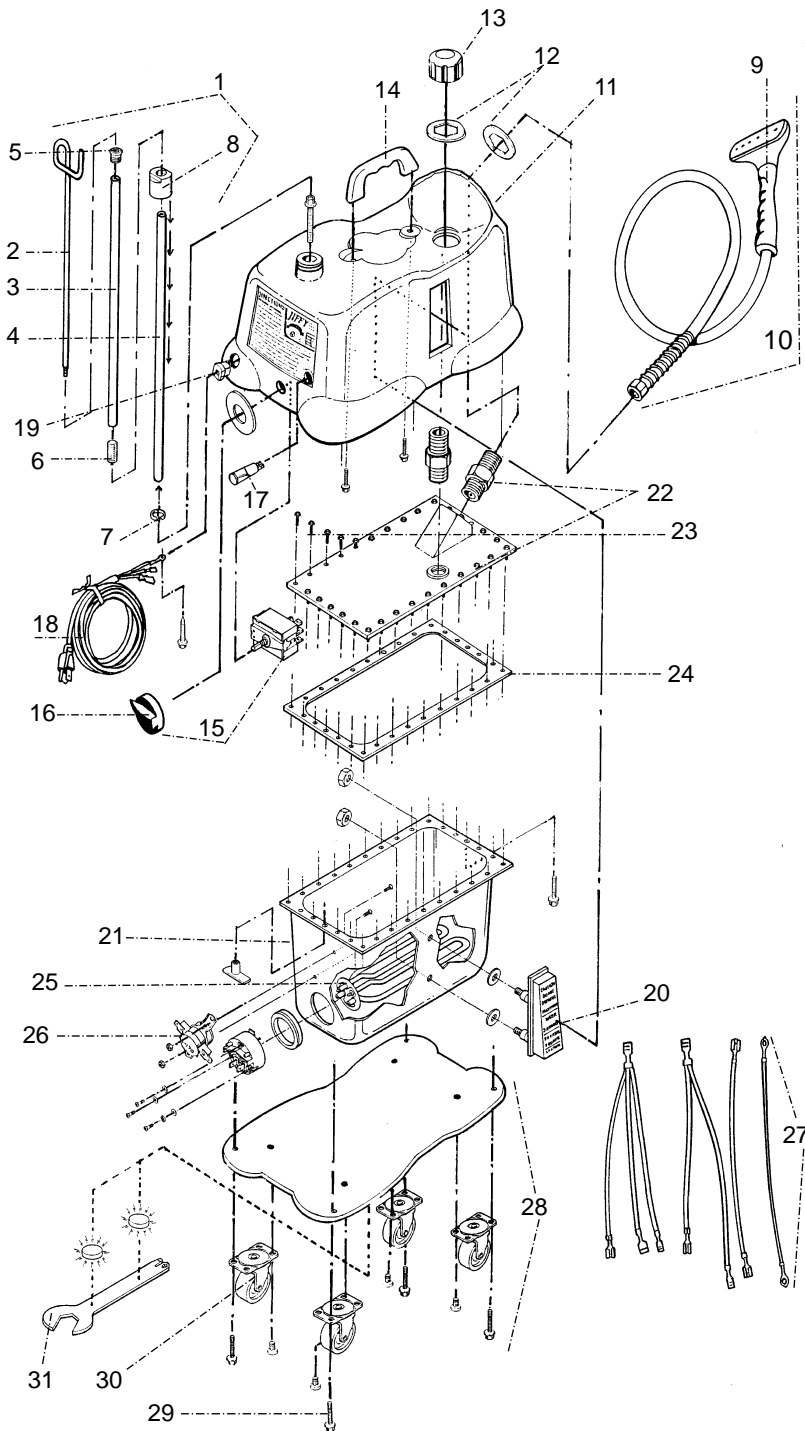


MODEL J-4000 Parts Diagram



Worldwide Leader in Steaming Equipment Since 1940

Should you ever need replacement parts for your Jiffy Steamer, you may purchase them separately. Use this convenient diagram and parts list to identify any part you may need. Please reference the Jiffy Steamer part number, model number and serial number when ordering.



Jiffy Key Steamer		Part Description	List Price
#	Part #		
1	1030	Rod Set and Nut Complete with Metal Studs	\$ 25.50
	1034	Rod Set and Nut Complete for Drapery Steamers	\$ 29.00
2	0035	Hook Section of Rod Set	\$ 6.50
3	0036	Middle Section of Rod Set (with Barrel Stud and Cap Screw)	\$ 7.50
4	0037	Bottom Section of Rod Set	\$ 7.50
	0038	Additional Middle Section of Rod Set for Drapery Steamers	\$ 7.50
5	0043	Metal Threaded Cap Screw for Rod Set	\$ 1.50
6	0039	Metal Threaded Stud for Rod Sections	\$ 1.50
7	1031	1/2" Split Clench Ring for Rod Set	\$ 0.50
8	1032	Rod Set Nut	\$ 6.00
9	0253	Plastic Steam Head/Handle Replacement Kit	\$ 22.00
10	0251	Plastic Head/Handle Hose Attachment Complete	\$ 50.00
	0280	Hose Per Foot (Black in Color)	\$ 3.00
11	1301	J-4000 Die Cast Aluminum Housing	\$ 72.00
12	0006	Hex Beauty Rings (Set of 2)	\$ 1.50
13	0049	Water Fill Cap	\$ 6.50
	0053	Funnel	\$ 3.50
14	0054	Housing Handle with Two Screws	\$ 7.00
15	0199	Rotary Power Switch and Knob	\$ 12.00
16	0201	Replacement Knob Only for Rotary Power Switch	\$ 1.50
17	1310	Red Neon Pilot Light (120 VOLT)	\$ 4.50
	1311	Red Neon Pilot Light (230 VOLT)	\$ 4.50
18	0133	Cord Set complete with Strain Relief	\$ 9.50
19	0146C	Cord Strain Relief	\$ 1.50
20	0050	Water Level Sight Gauge with Nuts and Washers	\$ 32.00
	1353	Stainless Steel Boiler Tank Kit Complete (120 Volt)	\$155.00
	1354	Stainless Steel Boiler Tank Kit Complete (230 Volt)	\$155.00
21	0074A	Stainless Steel Boiler Tank with Sight Gauge	\$ 78.00
22	0058	Boiler Tank Lid with 2 Brass Fittings and 2 Beauty Rings	\$ 28.00
23	0071	Boiler Tank Screw Set (Set of 30 + 1 Tee Nut)	\$ 6.00
	0061	Boiler Tank Silicone Sealer (2.8 Fluid Ounces)	\$ 4.50
	0062	Boiler Tank Silicone Sealer (10.1 Fluid Ounces)	\$ 8.00
24	0075	Boiler Tank Gasket	\$ 8.50
25	1355	Heating Element (120 Volt, 1500 Watt)	\$ 28.00
	1356	Heating Element (230 Volt, 1500 Watt)	\$ 28.00
	1350	Heating Element (120 Volt, 1500 Watt) & Control Kit Complete	\$ 46.00
	1351	Heating Element (230 Volt, 1500 Watt) & Control Kit Complete	\$ 46.00
	1352	Control Kit with Seal and Hardware	\$ 18.00
	1362	Hardware Kit for J-4000 Control	\$ 1.50
26	0203	Preheat Thermostat (L-170)	\$ 8.00
27	1314	Internal Wire Set (Set of 4 Wires)	\$ 8.00
28	1320	Bottom Plate with Four Casters	\$ 18.00
29	0017	Bottom Plate Screws (Set of 4)	\$ 0.75
30	0018	Bottom Plate Casters (Set of 4)	\$ 6.50

ACCESSORIES

31	1050	Jiffy Steamer Assembly Wrench	\$ 4.00
	1062	Steam Cleaning "B" Brush Hose Attachment	\$ 50.00
	1063	Spare Brush for the "B" Hose Attachment	\$ 8.00
	0259	Auto Hose Attachment with Dual Metal Heads	\$ 82.00
	0257	Carpet Hose Attachment	\$ 75.00
	0252	7.5' Drapery Hose Attachment with Plastic Steam Head	\$ 56.00
	0255	7.5' Drapery Hose Attachment with Metal Steam Head	\$ 76.00
	0254	Metal Head / Wood Handle Hose Attachment Complete	\$ 70.00
	0256	Metal Head / Wood Handle Only	\$ 37.50
	0269	Replacement Wooden Handle (for Metal Steam Heads)	\$ 7.00
	0262	Wig Hose Attachment	\$ 50.00
	0274	Brass Hat Nozzle Attachment	\$ 13.00
	0898	Liquid Cleaner - 3 Ten (10) Ounce Bottles per Package*	\$ 15.00

*Not Available for Export.

Jiffy Steamer Company, LLC

4462 Ken-Tenn Highway (38261) Post Office Box 869 Union City, Tennessee 38281-0869 United States of America

Phone: 1-731-885-6690 Fax: 1-731-885-6692 Web: www.jiffysteamer.com E-mail: jsinfo@jiffysteamer.com

Form 4200