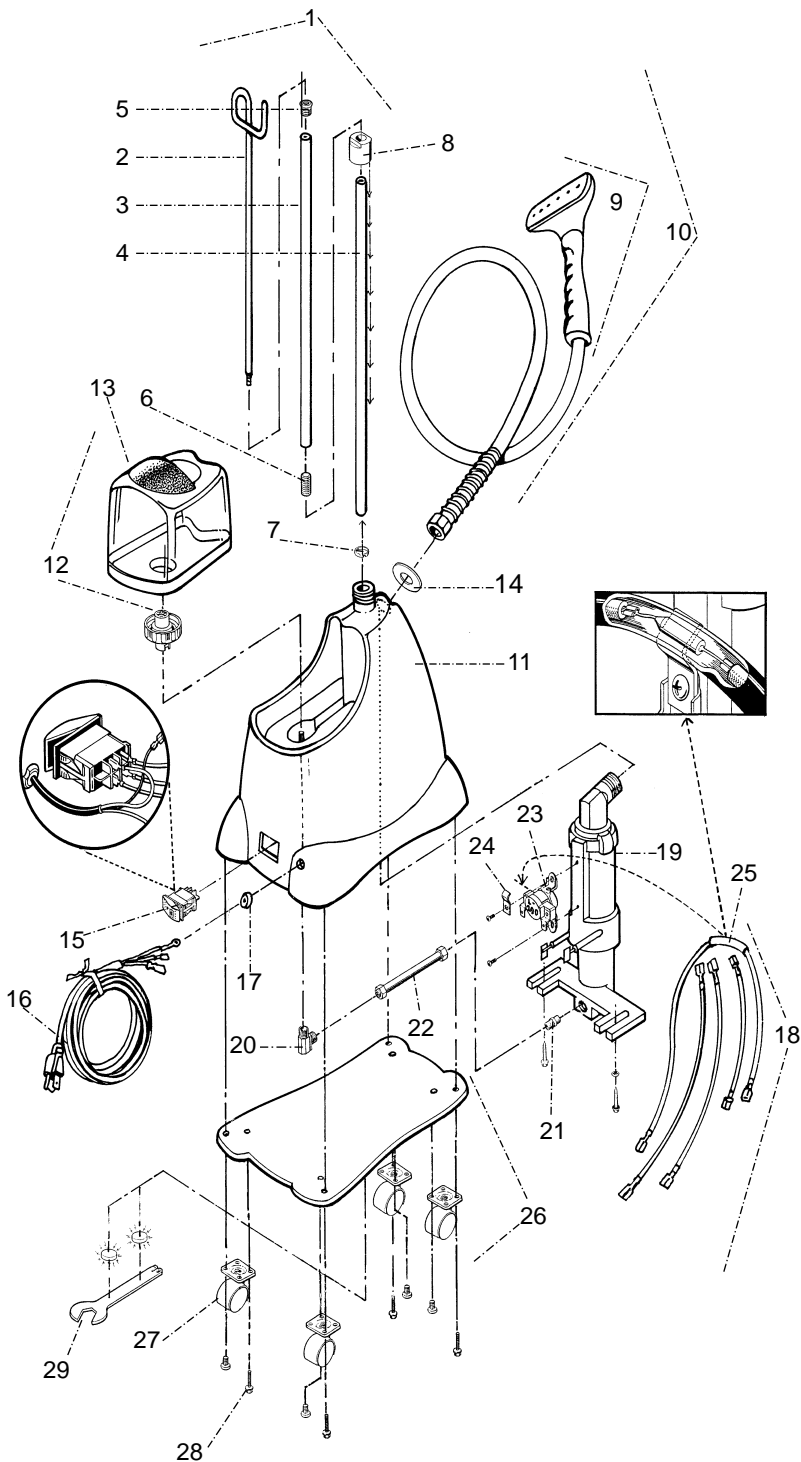


# MODEL J-2000 Parts Diagram



Worldwide Leader in Steaming Equipment Since 1940

Should you ever need replacement parts for your Jiffy Steamer, you may purchase them separately. Use this convenient diagram and parts list to identify any part you may need. Please reference Jiffy Steamer part number model and serial number when ordering.



Key #	Jiffy Steamer Part #	Part Description	List Price
1	1030	Rod Set and Nut Complete with Metal Studs	\$ 25.50
2	0035	Hook Section of Rod Set	\$ 6.50
3	0036	Middle Section of Rod Set	\$ 7.50
4	0037	Bottom Section of Rod Set	\$ 7.50
5	0043	Metal Threaded Cap Screw for Rod Set	\$ 1.50
6	0039	Metal Threaded Stud for Rod Sections	\$ 1.50
7	1031	1/2" Split Clench Ring for Rod Set	\$ 0.50
8	1032	Rod Set Nut	\$ 6.00
9	0253	Plastic Steam Head/Handle Replacement Kit	\$ 22.00
10	0251	Plastic Head/Handle Hose Attachment Complete	\$ 50.00
	0280	Hose Per Foot (Black in Color)	\$ 3.00
11	1100	J-2000 Plastic Housing Kit	\$ 58.00
12	1140	J-2000 Water Caddy Complete with Check Valve Cap	\$ 28.00
13	1141	J-2000 Water Caddy Complete with out Check Valve Cap	\$ 24.25
	0027A	Replacement Check Valve Cap	\$ 3.75
14	1106	Round Beauty Grommet for J-2000 Housing	\$ 2.00
15	1125	Green Lighted Contura Rocker Switch - 120 Volt	\$ 9.00
	1126	Green Lighted Contura Rocker Switch - 230 Volt	\$ 9.00
16	0132	Cord Set complete with Strain Relief	\$ 9.50
17	0146B	Cord Strain Relief	\$ 1.50
18	0148	Internal Wire Set	\$ 9.00
	1193	Heating Unit Kit (wiring included) for Models with Green Lighted Contura Rocker Switch - 120 Volt Cord Set and 4 1/2" Water Line	\$ 81.50
	1194	Heating Unit Kit (wiring included) for Models with Green Lighted Contura Rocker Switch - 230 Volt Cord Set and 4 1/2" Water Line	\$ 81.50
19	0161B	Heating Unit Assembly (no wiring included) for Models with Green Lighted Rocker Switch - 120 Volt Cord Set and 4 1/2" Water Line	\$ 62.50
	0162B	Heating Unit Assembly (no wiring included) for Models with Green Lighted Contura Rocker Switch - 230 Volt Cord Set and 4 1/2" Water Line	\$ 62.50
20	0030	Brass 90 Degree Elbow Joint	\$ 2.50
21	1130	3/8" x 1/4" Straight Brass Fitting for Heating Element Housing	\$ 2.50
22	1191	Copper Water Line (41/2" length) with Nuts and Compression Rings	\$ 4.00
23	0160	L-290 Thermostat	\$ 8.00
24	0195	Fusible Link Clamp	\$ 1.50
25	0151	Fusible Link Wire with Insulated Lug	\$ 3.00
26	1120	Bottom Plate with Casters	\$ 18.00
27	0011	Bottom Plate Casters (Set of 4)	\$ 6.50
28	0010	Screws for Bottom Plate (4 Screws Total)	\$ 0.75

### ACCESSORIES

29	1050	Jiffy Steamer Assembly Wrench	\$ 4.00
	1062	Steam Cleaning "B" Brush Hose Attachment	\$ 50.00
	1063	Spare Brush for the "B" Hose Attachment	\$ 8.00
	0254	Metal Head/Wood Handle Hose Attachment Complete	\$ 70.00
	0256	Metal Head / Wood Handle Only	\$ 37.50
	0269	Replacement Wooden Handle (for Metal Steam Heads)	\$ 7.00
	0898	Liquid Cleaner - 3 Ten (10) Ounce Bottles per Package*	\$ 15.00

\*Not Available for Export.

Jiffy Steamer Company, LLC

4462 Ken-Tenn Highway (38261) Post Office Box 869 Union City, Tennessee 38281-0869 United States of America

Phone: 1-731-885-6690 Fax: 1-731-885-6692 Web: www.jiffysteamer.com E-mail: jsinfo@jiffysteamer.com

Form 4100