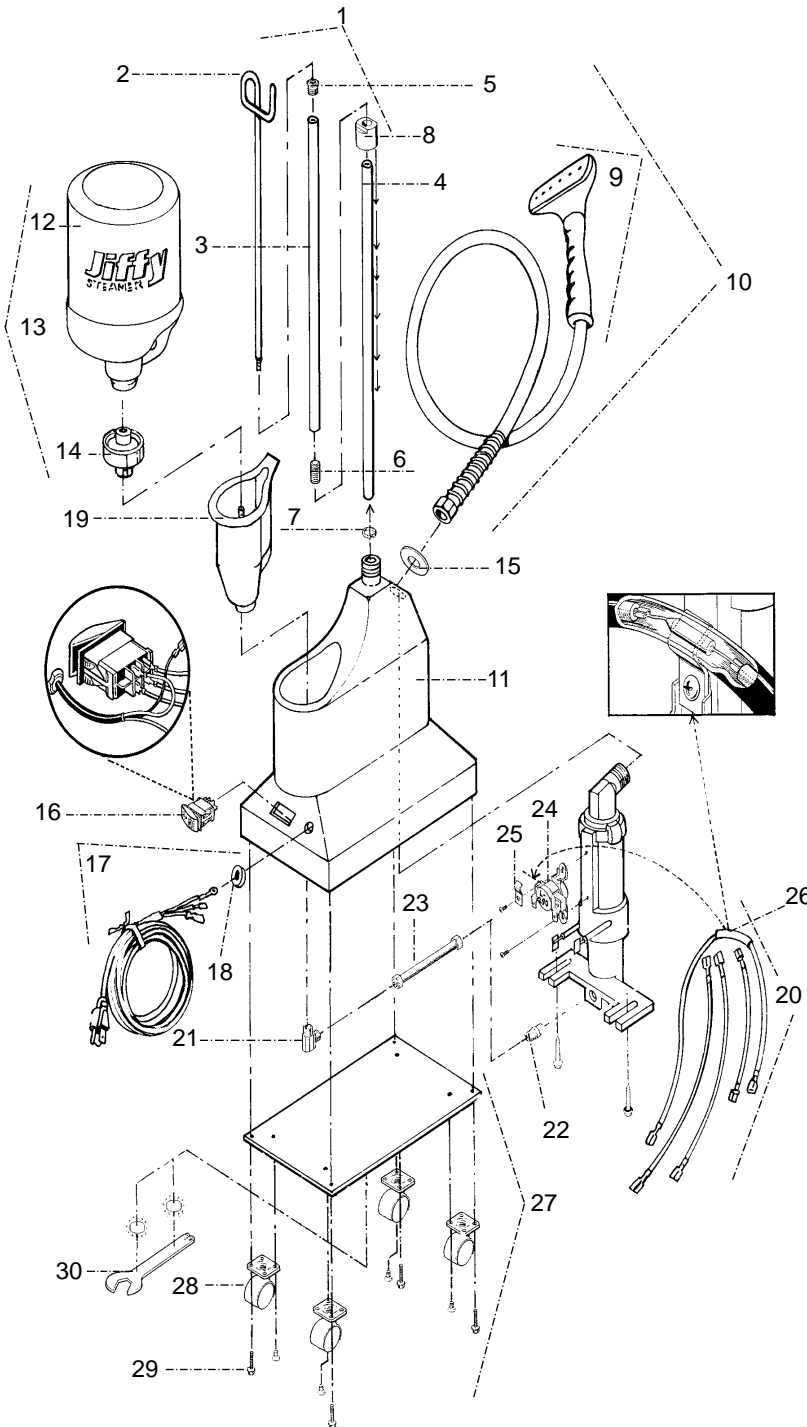


MODEL J-2 Parts Diagram



Worldwide Leader in Steaming Equipment Since 1940

Should you ever need replacement parts for your Jiffy Steamer, you may purchase them separately. Use this convenient diagram and parts list to identify any part you may need. Please reference the Jiffy Steamer part number, model number and serial number when ordering.



Key #	Jiffy Steamer Part #	Part Description	List Price
1	1030	Rod Set and Nut Complete with Metal Studs	\$ 25.50
	0031	Hose Hanger Rod Set with Adapter Complete	\$ 25.50
	0031A	Hose Hanger Rod Set without Adapter Complete	\$ 21.50
	0041	Base Adapter with Thumb Screw (for Old Style Rods Sets)	\$ 4.00
2	0035	Hook Section of Rod Set	\$ 6.50
3	0036	Middle Section of Rod Set	\$ 7.50
4	0037	Bottom Section of Rod Set	\$ 7.50
5	0043	Metal Threaded Cap Screw for Rod Set	\$ 1.50
6	0039	Metal Threaded Stud for Rod Sections	\$ 1.50
7	1031	1/2" Split Ring for Rod Set	\$ 0.50
8	1032	Rod Set Nut	\$ 6.00
9	0253	Plastic Steam Head/Handle Replacement Kit	\$ 22.00
10	0251	Plastic Head/Handle Hose Attachment Complete	\$ 50.00
	0280	Hose Per Foot (Black in Color)	\$ 3.00
11	0002	Painted Die Cast Aluminum Housing	\$ 51.50
	0023	Plastic Water Bottle "A" with Cap	\$ 6.50
	0027	Replacement Cap for Water Bottle "A"	\$ 0.75
12	0026A	Plastic Water Bottle "B" without Check Valve Cap	\$ 5.75
13	0025	Plastic Water Bottle "B" with Check Valve Cap	\$ 9.50
14	0027A	Replacement Check Valve Cap for Water Bottle "B"	\$ 3.75
15	0004	Round Beauty Ring	\$ 0.75
	0122	Toggle Switch (3 Pieces)	\$ 7.50
	0127	Red Neon Pilot Light with Lock Ring 120 Volt	\$ 4.00
	0128	Red Neon Pilot Light with Lock Ring 230 Volt	\$ 4.00
16	1125	Green Lighted Contura Rocker Switch 120 Volt	\$ 9.00
	1126	Green Lighted Contura Rocker Switch 230 Volt	\$ 9.00
17	0132	Cord Set complete with Strain Relief	\$ 9.50
18	0146B	Cord Strain Relief	\$ 1.50
19	0028	Water Cup with 90 Degree Brass Fitting	\$ 18.00
	0147	Internal Wire Set for Models with Front Red Light	\$ 9.00
20	0148	Internal Wire Set for Models with Green Contura Rocker Switch	\$ 9.00
	0596	Heating Unit Kit (wiring included) for Models with Front Red Light - 120 Volt Cord Set and 4" Water Line	\$ 81.50
	0177A	Heating Unit Kit (wiring included) for Models with Front Red Light - 230 Volt Cord Set and 4" Water Line	\$ 81.50
	0597	Heating Unit Kit (wiring included) for Models with Green Lighted Rocker Switch - 120 Volt Cord Set and 4" Water Line	\$ 81.50
	0597A	Heating Unit Kit (wiring included) for Models with Green Lighted Rocker Switch - 230 Volt Cord Set and 4" Water Line	\$ 81.50
	0161A	Heating Unit Assembly (no wiring included) - 120 Volt and 4" Water Line	\$ 62.50
	0162A	Heating Unit Assembly (no wiring included) - 230 Volt and 4" Water Line	\$ 62.50
21	0030	Brass 90 Degree Elbow Joint	\$ 2.50
22	1130	3/8" x 1/4" Straight Brass Fitting for Heating Element Housing	\$ 2.50
23	0591	Copper Water Line (4" length) with Nuts and Compression Rings	\$ 4.00
	0187	Copper Water Line (5" length) with Nuts and Compression Rings	\$ 4.00
24	0160	L-290 Thermostat	\$ 8.00
25	0195	Fusible Link Clamp	\$ 1.50
26	0151	Fusible Link Wire with Insulated Lug	\$ 3.00
27	0009	Bottom Plate with Casters	\$ 13.50
28	0011	Bottom Plate Casters (Set of 4)	\$ 6.50
29	0010	Screws for Bottom Plate (4 Screws Total)	\$ 0.75
ACCESSORIES			
30	1050	Jiffy Steamer Assembly Wrench	\$ 4.00
	1062	Steam Cleaning "B" Brush Hose Attachment	\$ 50.00
	1063	Spare Brush for the "B" Hose Attachment	\$ 8.00
	0274	Brass Hat Nozzle Attachment	\$ 13.00
	0254	Metal Head/Wood Handle Hose Attachment Complete	\$ 70.00
	0256	Metal Head / Wood Handle Only	\$ 37.50
	0269	Replacement Wooden Handle (for Metal Steam Heads)	\$ 7.00
	0262	Wig Hose Attachment	\$ 50.00
	0898	Liquid Cleaner - 3 Ten (10) Ounce Bottles per Package*	\$ 15.00
		*Not Available for Export.	

Jiffy Steamer Company, LLC

4462 Ken-Tenn Highway (38261) Post Office Box 869 Union City, Tennessee 38281-0869 United States of America
 Phone: 1-731-885-6690 Fax: 1-731-885-6692 Web: www.jiffysteamer.com E-mail: jsinfo@jiffysteamer.com Form 4000