

**Steam[®]
Fast[≡]**

SP-660

by **Top Innovations, Inc.**

STEAMPRESS

Professional Results in Minutes

Audio Safety Alarm System

Saves Up to 50% in Ironing Time

Powerful Bursts of Steam for Long Lasting Creases

Pressing Surface 7 Times Larger than an Iron

Variable Heat Selection

Maximum Steam Penetration

- Dual Steam Buttons
- Auto Shut-Off System
- Portable and Easy to Store
- Ready to Use in Minutes
- Press Away Wrinkles with Powerful Steam
- Works on All Types of Clothing Including: Pleated Skirts, Pants, Blouses, Shirts, Ties and Scarves
- Die Cast Aluminum Base
- Washable Ironing Pad Cover



Maximum Steam Penetration



Optional Work Station Stand

400 NW Platte Valley Drive, Riverside, MO 64150

Tel: 816-584-9700, 800-711-6617 Fax: 816-584-9066

www.topinnovations.com, sales@topinnovations.com

Steam Fast

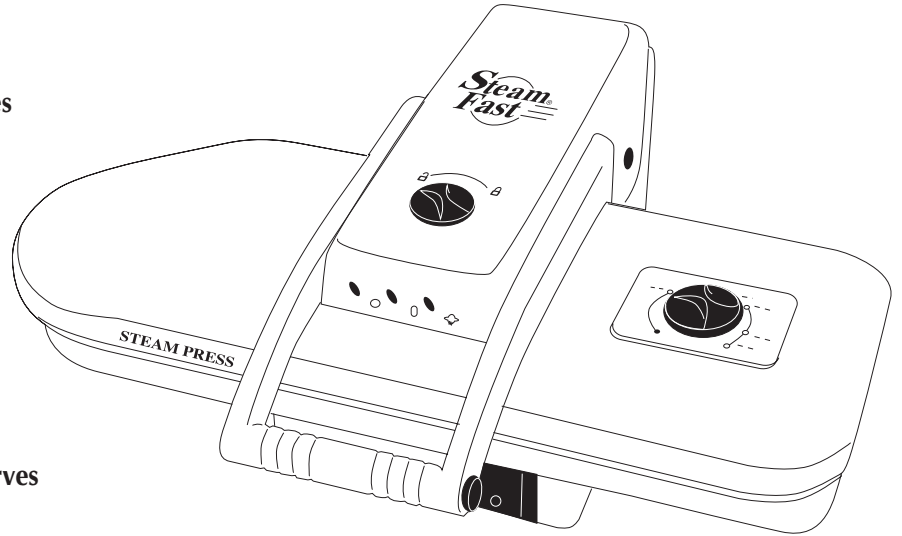
STEAMPRESS

SP-660

Professional Results in Minutes

Features:

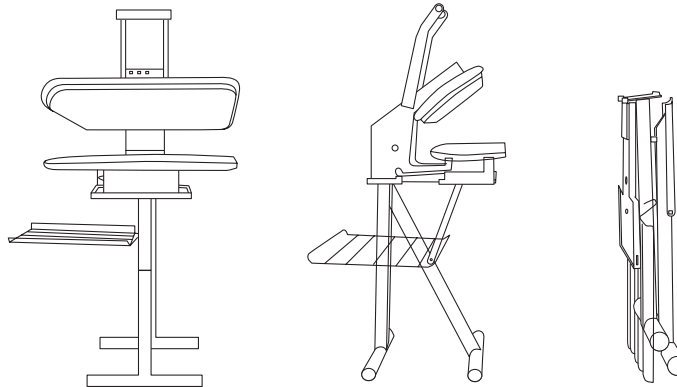
- Audio Safety Alarm System
- Saves Up to 50% in Ironing Time
- Powerful Bursts of Steam for Long Lasting Creases
- Pressing Surface 7 Times Larger than an Iron
- Variable Heat Selection
- Maximum Steam Penetration
- Dual Steam Buttons
- Auto Shut-Off System
- Portable and Easy to Store
- Ready to Use in Minutes
- Press Away Wrinkles with Powerful Steam
- Works on All Types of Clothing Including:
Pleated Skirts, Pants, Blouses, Shirts, Ties and Scarves
- Die Cast Aluminum Base
- Washable Ironing Pad Cover



Accessories Included:

- Fill Bottle
- Spray Bottle
- Shoulder Pad

Optional # A600-016 Press Stand



MASTER CARTON

Units Per MC : 1
 Dimension (LxWxH) : 6.10" x 14.96" x 29.13"
 Gross Weight : 14.3 lbs
 Cube : 1.54 cu. ft

UPC#

0-47171-60016-5



MASTER CARTON	QUANTITY	UNIT INFO	MISCELLANEOUS
Units Per MC 1	20' Container 350	Unit Box Dim. (LxWxH) 24.00" x 10.00" x 22.00"	UPC# 0-47171-20660-2
Dimension (LxWxH) 24.00" x 10.00" x 22.00"	40' Container 728	Unit Box Weight 24.74 lbs	ITF# 100-47171-20660-9
Gross Weight 24.2 lbs	40' HC Container 800	Unit Dim. (LxWxH) 22.70" x 21.50" x 8.00"	Unit Box is Drop Test Approved
Cube 3.14 cu. ft.	Pallet 32	Weight 19.8 lbs	